

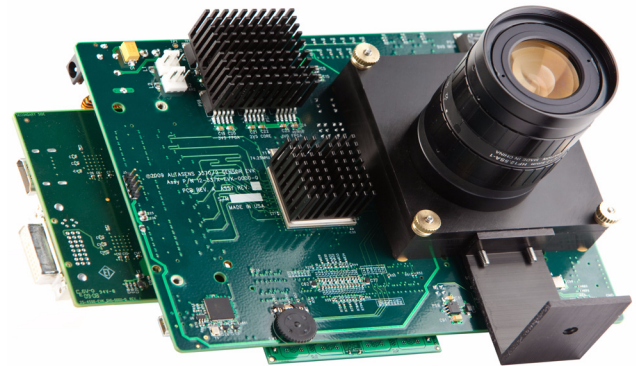
Evaluation Kit for A337x-4T High-Definition CMOS Sensors

The *AltaChrome A337x-4T Evaluation Kit (EVK)* is a bench-top tool designed for evaluating AltaChrome high-definition CMOS sensors. The EVK is ideal for characterizing the effects of register settings on signaling, timing, and sensor performance for both monochrome and color sensors.

The EVK offers two hardware kit options:

- EVK main board with Camera Link sub-board
- EVK main board with DVI/HDMI sub-board

The kit includes the sensor and AltaSens ProCEED evaluation software (see *Ordering Information*).



EVK with Camera Link™

The EVK with Camera Link option enables "grabbing" of raw sensor data at frame rates up to 60 fps, including raw wide dynamic range (WDR) data, using a PC.

This option offers advanced users the ability to obtain real-time measurements while benchmarking sensor performance and characteristics in a test environment.

EVK with DVI/HDMI

The EVK with DVI/HDMI option enables real-time display of raw and processed color images on a display device using a single-channel DVI-D (digital) or HDMI interface.

This option provides minimal setup and ease-of-use. It provides camera-like output and is designed for running demos and qualitative test functions on the sensor.

| <i>Key Features</i> | <i>Camera Link</i> | <i>DVI/HDMI</i> |
|---|---------------------------|------------------------|
| • Accelerates time to market | ◆ | ◆ |
| • Provides real-time viewing of full-color, full-HD video | | ◆ |
| • Demonstrates A337x-4T sensor performance with an example color pipeline | | ◆ |
| • Provides real-time capture of raw sensor data for <ul style="list-style-type: none"> - offline analysis, for example, using Matlab - camera simulation prior to camera hardware development | ◆ | |
| • Uses ProCEED evaluation and control software | ◆ | ◆ |

Ordering Information

To order the A337x-4T EVK, use the following part numbers:

EVK with Camera Link Option*

- monochrome: *EVK-CL-3370-00*
- color: *EVK-CL-3372-00*

EVK with DVI / HDMI Option*

- monochrome: *EVK-DVI-3370-00*
- color: *EVK-DVI-3372-00*

*Kits include sensor, camera lens, lens mount (with IRC-30 filter), tripod, tripod mount, AC adapter power supply, cables, AltaSens ProCEED software, Matrox™ MIL software, and user documentation.

To order individual components, use the following part numbers:

EVK Main Board**

- monochrome: *EVK-MB-3370-00*
- color: *EVK-MB-3372-00*

**Sensor not included.

Camera Link Sub-Board

- monochrome: *EVK-CLB-3370-00*
- color: *EVK-CLB-3372-00*

DVI / HDMI Sub-Board

- monochrome: *EVK-DVIB-3370-00*
- color: *EVK-DVIB-3372-00*

Sensor

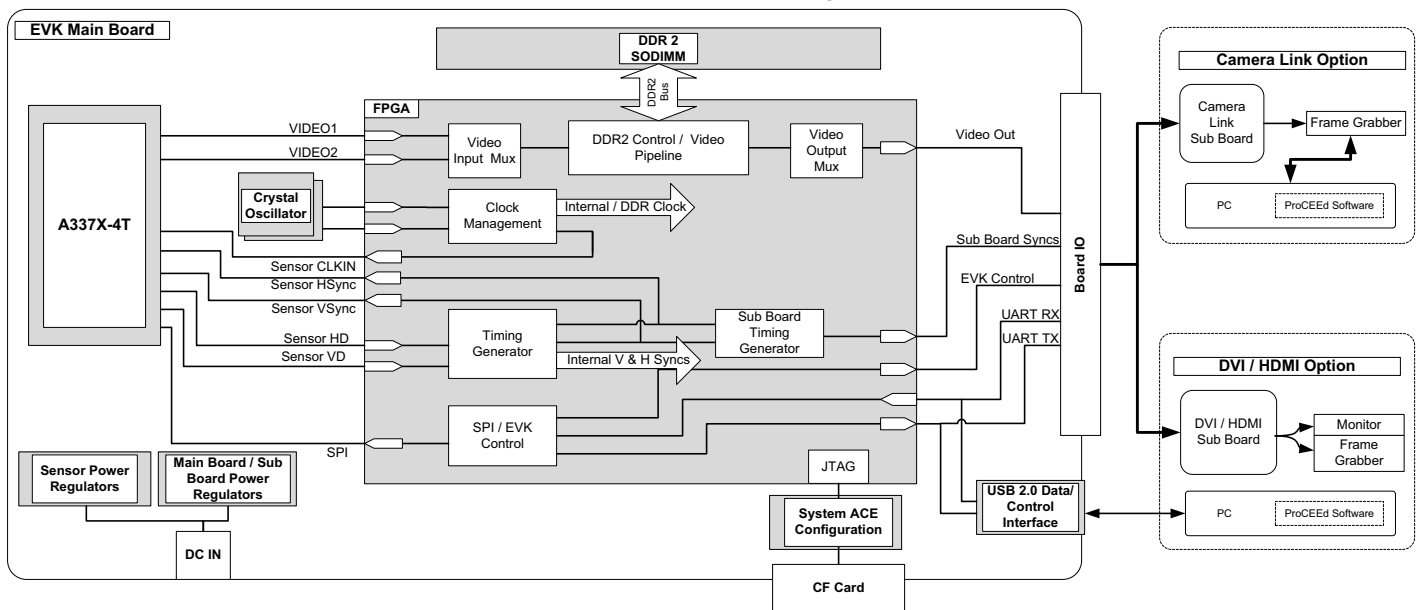
- monochrome: *A3370E3*
- color: *A3372E3*

System Requirements

A337x-4T EVK operation requires the following:

- Intel® Pentium® PC or equivalent
- An available PCIe™ (PCI Express) slot or PCI-X (PCI Extended) slot (Camera Link option only)
- Microsoft® Windows® 2000 or XP
- 1 GB RAM (2 GB recommended)
- An available USB 2.0 port

Evaluation Kit Hardware Block Diagram



All AltaSens image sensors are lead-free and comply with the Restriction of Hazardous Substances (RoHS) directive.

AltaChrome iSoC sensor features and specifications are subject to change without notice.

AltaChrome iSoCs, like other integrated circuits, are susceptible to damage by electrostatic discharge (ESD), which may damage or degrade a sensor's overall performance.

AltaSens, AltaChrome, and "Capture the Ultimate Image" are trademarks of AltaSens, Inc.

All other copyrights are the property of their respective owners.

For more information, contact AltaSens sales at:

AltaSens, Inc.
700 E. El Camino Real, Suite #200
Mountain View, CA 94040
USA
Tel: (650) 934-8268
Fax: (650) 210-8698
AltaSensSales@altasens.com
www.altasens.com